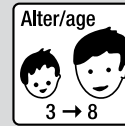


# Luftbereifung

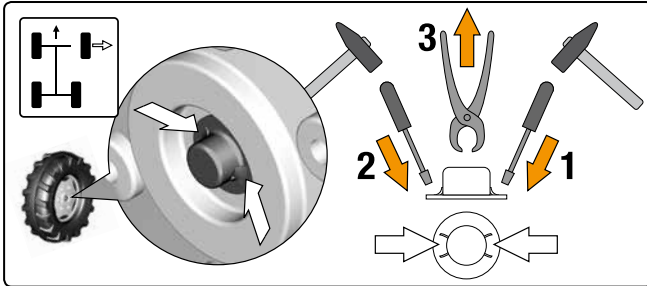


rollytoys Kundendienst Deutschland:

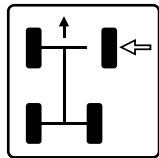
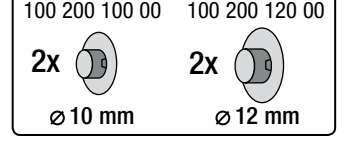
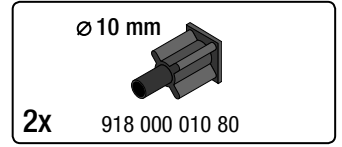
Tel: +49 (0) 95 68 / 856-142  
 Fax: +49 (0) 95 68 / 856-183  
 e-mail: service@rollytoys.de

2015/11

918.000.800.00

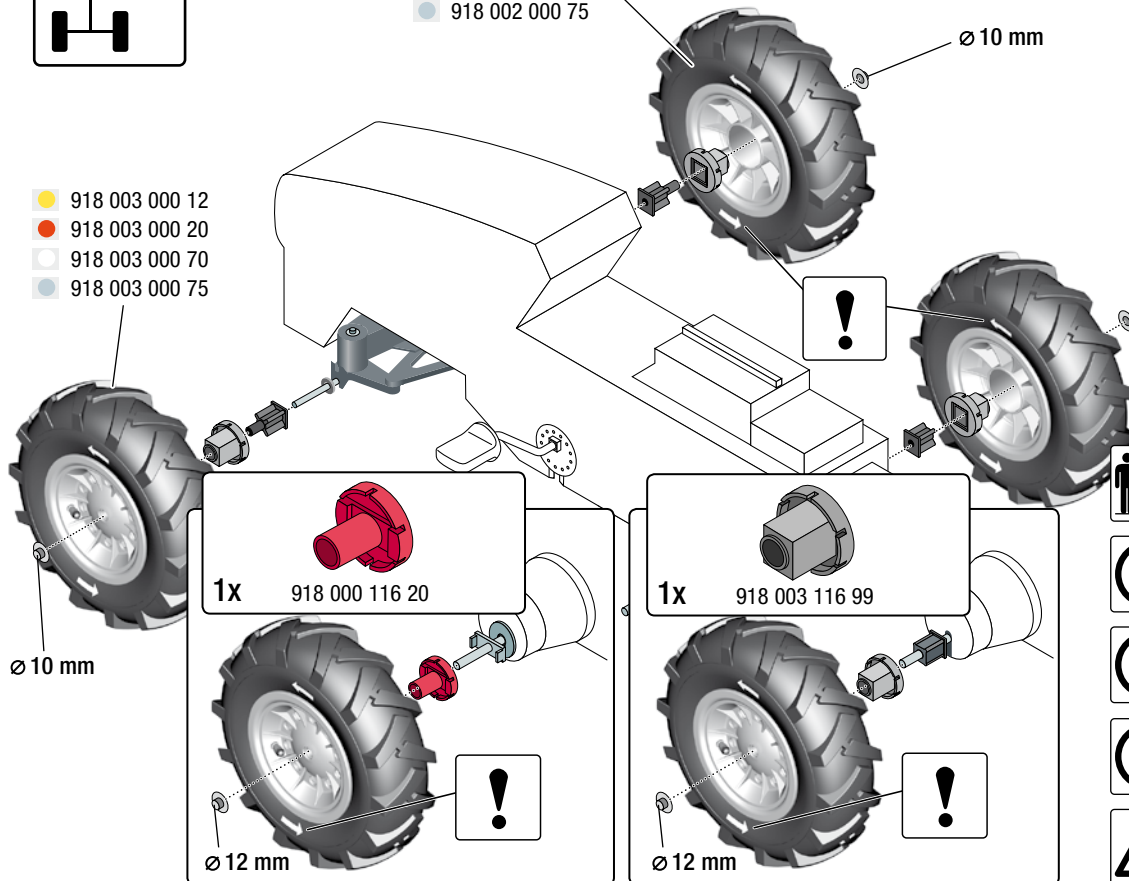


BG	Предупреждение!	LT	Įspėjimas!
CZ	Varování!	LV	Uzmanību!
D	Achtung!	M	Avvisi!
DK	Advarsel!	MK	Внимание!
E	Aviso!	N	OBS!
EST	Hoiatus!	NL	Waarschuwing!
F	Attention!	P	Aviso!
FIN	Varoitus!	PL	Ostrożność!
GB	Warning!	RO	Avertisment!
GR	Προσοχή!	RUS	Внимание!
H	Figyelmeztetés!	S	Varning!
HR	Pažnja!	SK	Varovanie!
I	Avviso!	SLO	Opozorilo!
IRL	Rabhadhán!	TR	Dikkat!



- 918 002 000 12
- 918 002 000 20
- 918 002 000 70
- 918 002 000 75

- 918 003 000 12
- 918 003 000 20
- 918 003 000 70
- 918 003 000 75



## ! WARNING

- CHOKING HAZARD: Small parts. Danger of being swallowed. Contains small parts in non assembled state. Must be assembled by adults.
- Adult supervision required.
- Never use near steps, slopes, driveways, hills, roadways, alleys or swimming pool areas.

- Always wear shoes.
- Never allow more than one rider.
- The use of protective gear and a safety helmet is highly recommended.
- Conforms to the requirements of ASTM Standard Consumer Safety Specification on Toy Safety, F 963
- Not suitable for children under 3 years.

---NORTH & SOUTH AMERICA only---

**180 days warranty**

From the date of purchase + guaranteed spare part service

The warranty does not cover damages caused by improper use or neglect



Franz Schneider GmbH & Co KG  
 P.O.Box 1460  
 D-96459 · Neustadt bei Coburg · Germany  
 Tel.: +49 (0) 95 68 / 856-0  
 Fax.: +49 (0) 95 68 / 856-190  
 www.rollytoys.com

