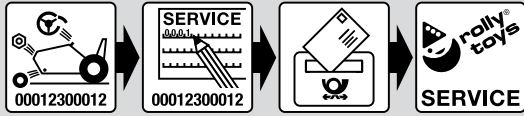
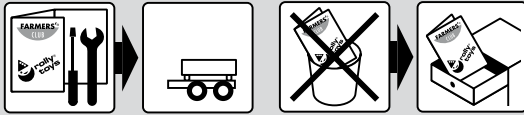


Timber Trailer

Alter/age
3 → 10



rolly toys Kundendienst Deutschland:

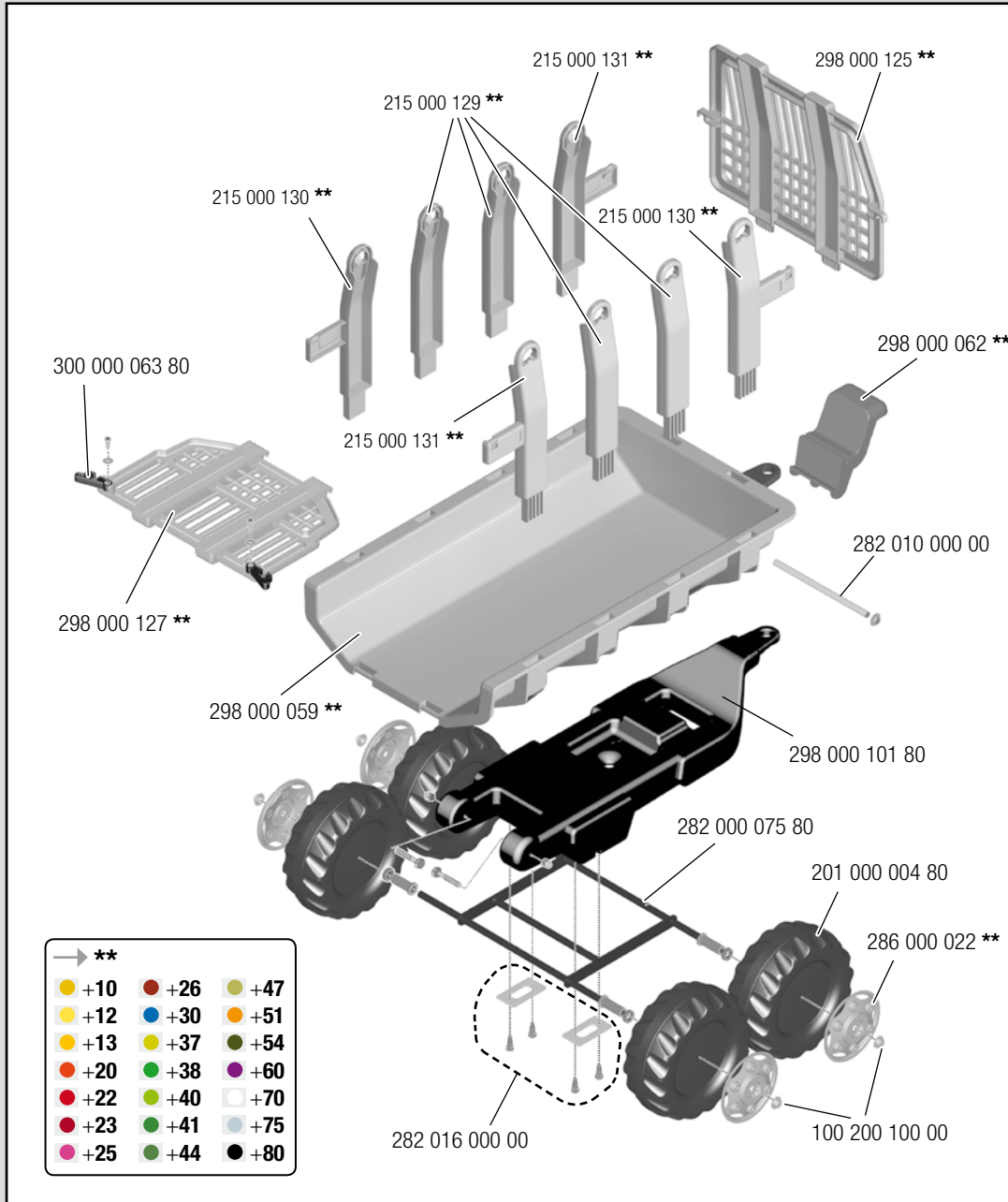
Tel: +49 (0) 95 68 / 856-142

Fax: +49 (0) 95 68 / 856-183

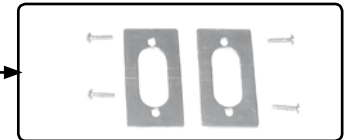
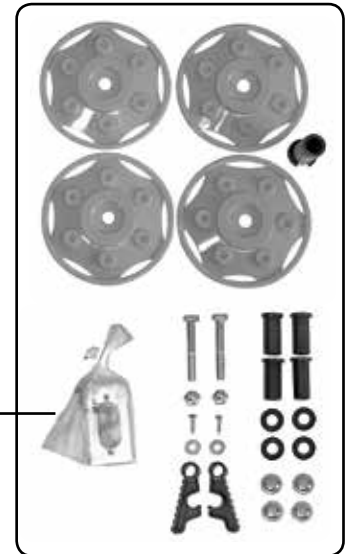
e-mail: service@rollytoys.de

2018/01

325.000.800.00



| → ** | | | |
|-------|-------|-------|--|
| ● +10 | ● +26 | ● +47 | |
| ● +12 | ● +30 | ● +51 | |
| ● +13 | ● +37 | ● +54 | |
| ● +20 | ● +38 | ● +60 | |
| ● +22 | ● +40 | ● +70 | |
| ● +23 | ● +41 | ● +75 | |
| ● +25 | ● +44 | ● +80 | |



made in Germany



| ← | | |
|-------------------------------------|------------------------|---|
| <input type="checkbox"/> | rolly Dreiradtraktoren | 05 |
| <input type="checkbox"/> | rollyMinitrac | 13 |
| <input type="checkbox"/> | rollyKid / rollyKiddy | 01 / 02 / 62 / 63 |
| <input checked="" type="checkbox"/> | rollyJunior | 80 / 81 |
| <input checked="" type="checkbox"/> | rollyFarmtrac | 60 / 61 / 03 |
| <input checked="" type="checkbox"/> | rollyX-Trac | 04 / 70 / 71 |
| <input checked="" type="checkbox"/> | rollyTruck (Unimog) | 03 / 04 / 64 / 65 |
| | | 03 |



Franz Schneider GmbH & Co KG

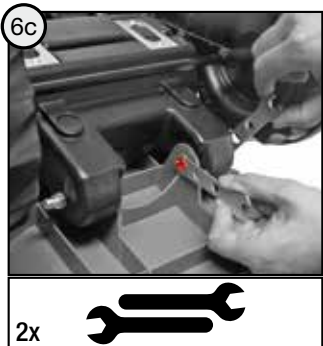
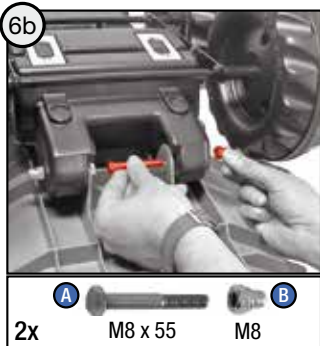
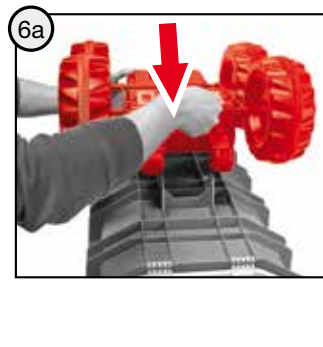
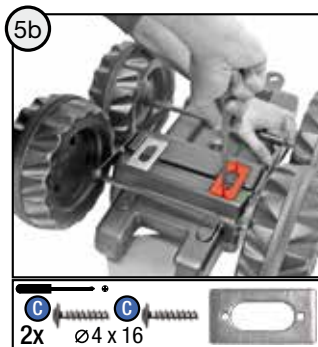
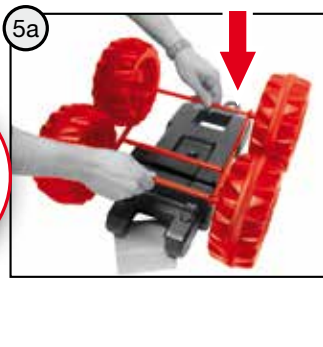
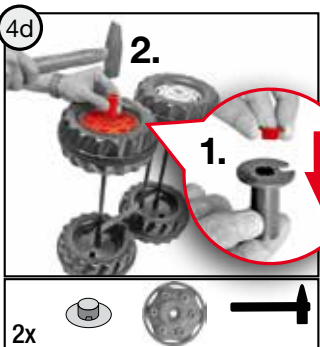
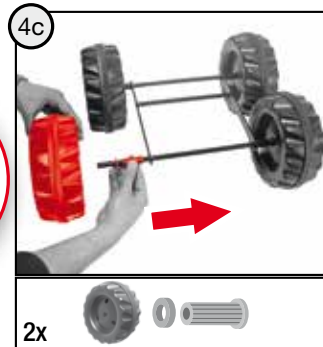
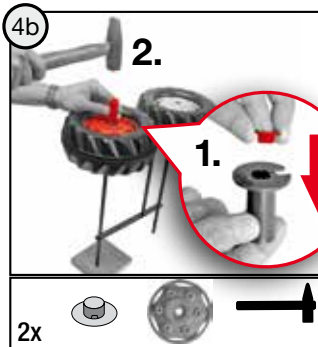
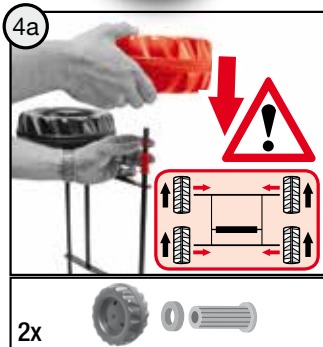
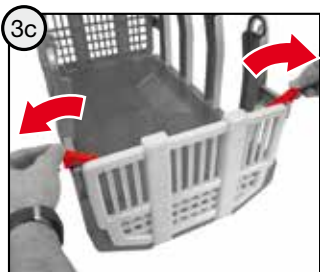
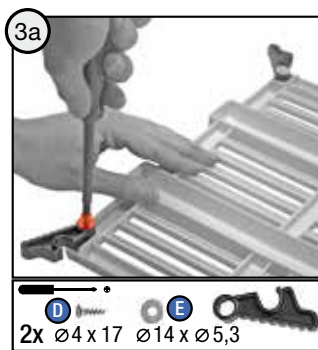
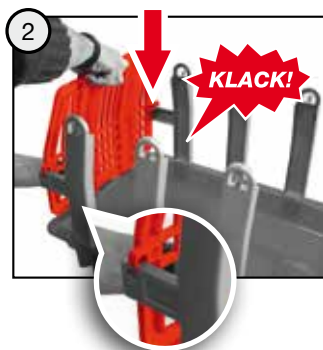
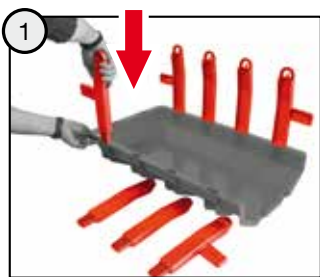
P.O.Box 1460

D-96459 · Neustadt bei Coburg · Germany

Tel.: +49 (0) 95 68 / 856-0

Fax.: +49 (0) 95 68 / 856-190

www.rollytoys.com



A M8 x 55
2x

B M8
2x

C $\varnothing 4 \times 16$
4x

D $\varnothing 4 \times 17$
2x

E $\varnothing 14 \times \varnothing 5,3$
2x

0 10 20 30 40 50 60 70
mm
(metrisch • metric)

WARNING

- **CHOKING HAZARD** - Small parts, Danger of being swallowed. Contains small parts in non assembled state Must be assembled by adults.
- Toy is not suitable to carry children.
- If toy is defective stop using it, repairs may only be carried out by adults.
- Adult supervision required.
- Never use near steps, slopes, driveways, hills, roadways, alleys or swimming pool areas.
- Always wear shoes.
- Conforms to the requirements of ASTM Standard Consumer Safety Specification on Toy Safety, F 963.

---NORTH & SOUTH AMERICA only---

180 days warranty

From the date of purchase + guaranteed spare part service
The warranty does not cover damages caused by improper use or neglect