



rolly toys Kundendienst Deutschland:

Tel: +49 (0) 95 68 / 856-142

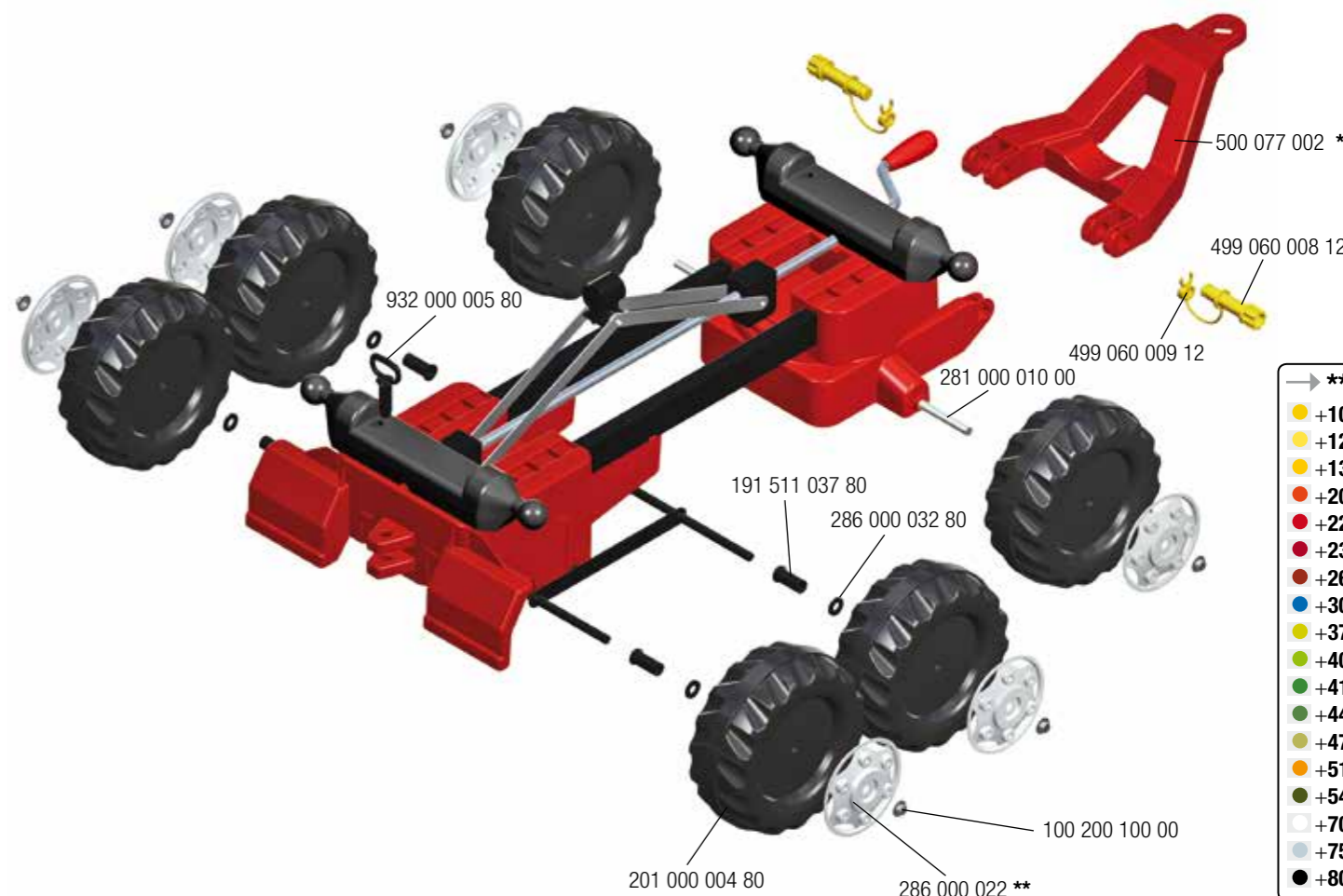
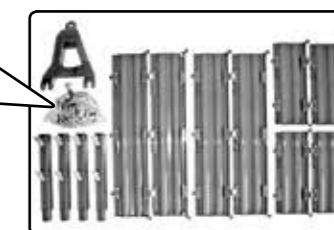
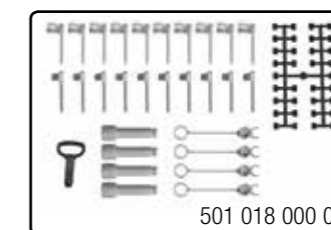
Fax: +49 (0) 95 68 / 856-183

e-mail: service@rollytoys.de

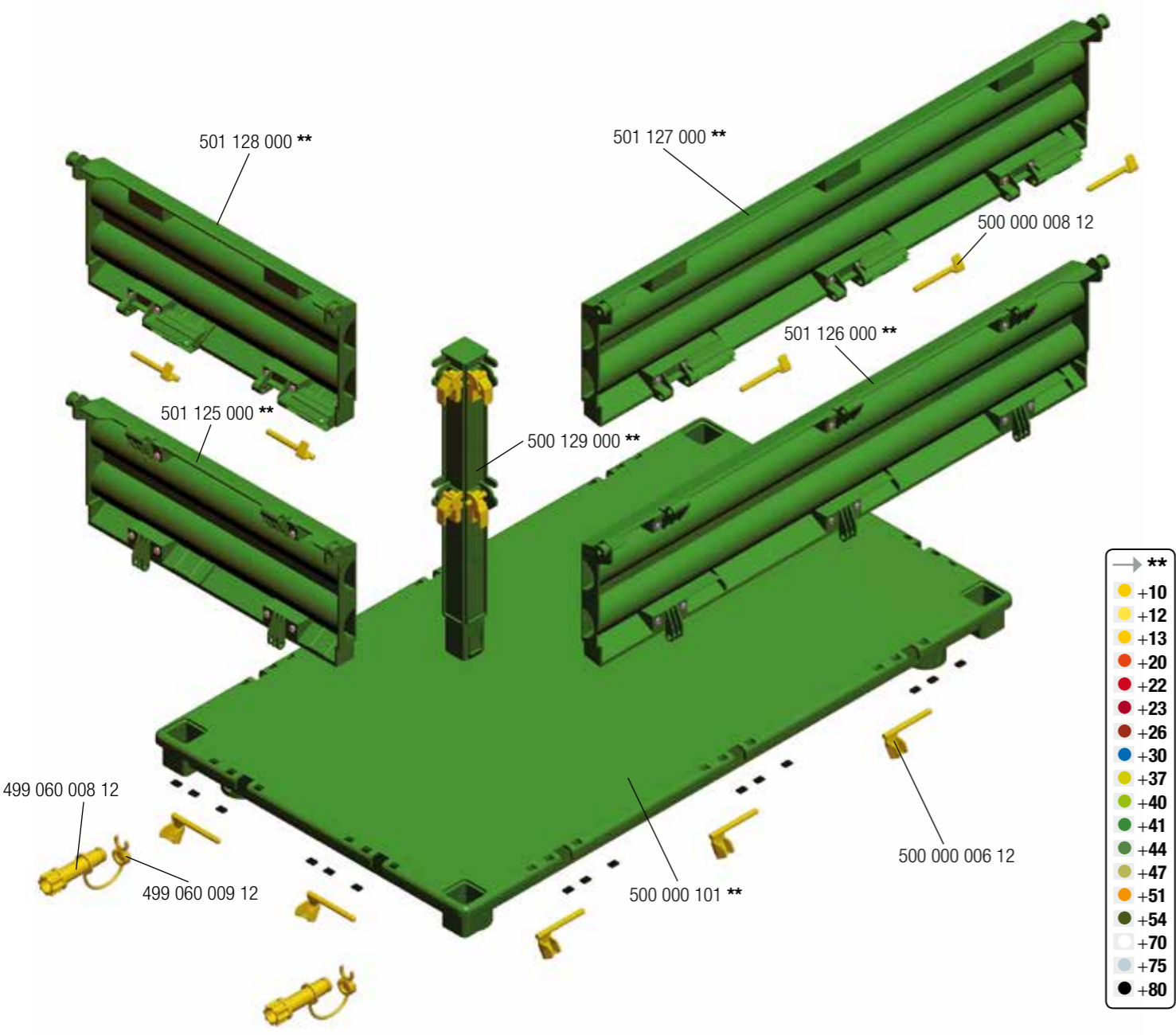
2016/07

501.000.800.00

## rollyMulti Trailer



- \*\*
- +10
- +12
- +13
- +20
- +22
- +23
- +26
- +30
- +37
- +40
- +41
- +44
- +47
- +51
- +54
- +70
- +75
- +80



- \*\*
- +10
- +12
- +13
- +20
- +22
- +23
- +26
- +30
- +37
- +40
- +41
- +44
- +47
- +51
- +54
- +70
- +75
- +80

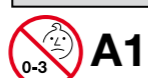
---NORTH & SOUTH AMERICA only---

### 180 days warranty

From the date of purchase + guaranteed spare part service

The warranty does not cover damages caused by improper use or neglect

- (BG) Предупреждение!
- (CZ) Varování!
- (D) Achtung!
- (DK) Advarsel!
- (E) Aviso!
- (EST) Hoiatus!
- (F) Attention!
- (FIN) Varoitus!
- (GB) Warning!
- (GR) Προειδοποίηση!
- (H) Figyelmeztetés!
- (HR) Pažnja!
- (I) Avviso!
- (IRL) Rabhchán!
- (LT) Įspėjimas!
- (LV) Uzmanību!
- (M) Avvis!
- (MK) Вниманије!
- (N) OBS!
- (NL) Waarschuwing!
- (P) Aviso!
- (PL) Ostrożnie!
- (RO) Avertisment!
- (RUS) Внимание!
- (S) Varning!
- (SK) Varovanie!
- (SLD) Opozorilo!
- (TR) Dikkat!

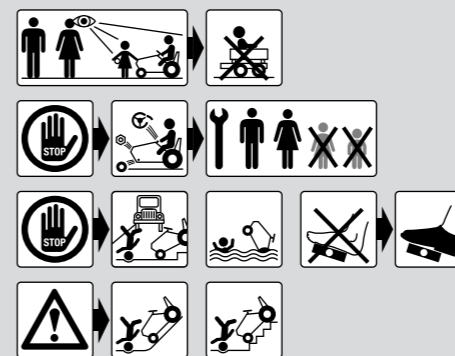


## ! WARNING

- CHOKING HAZARD - Small parts, Not suitable for children under 3 years.
- Must be assembled by adults.
- Adult supervision required.
- Never use near steps, slopes, driveways, hills, roadways, alleys or swimming pool areas.
- Always wear shoes.
- Never allow more than one rider.
- The use of protective gear and a safety helmet is highly recommended.
- Conforms to the requirements of ASTM Standard Consumer Safety Specification on Toy Safety, F 963



made in Germany



**Franz Schneider GmbH & Co KG**  
P.O.Box 1460  
D-96459 · Neustadt bei Coburg · Germany  
Tel.: +49 (0) 95 68 / 856-0  
Fax.: +49 (0) 95 68 / 856-190  
www.rollytoys.com

