



rollytoys Kundendienst Deutschland:

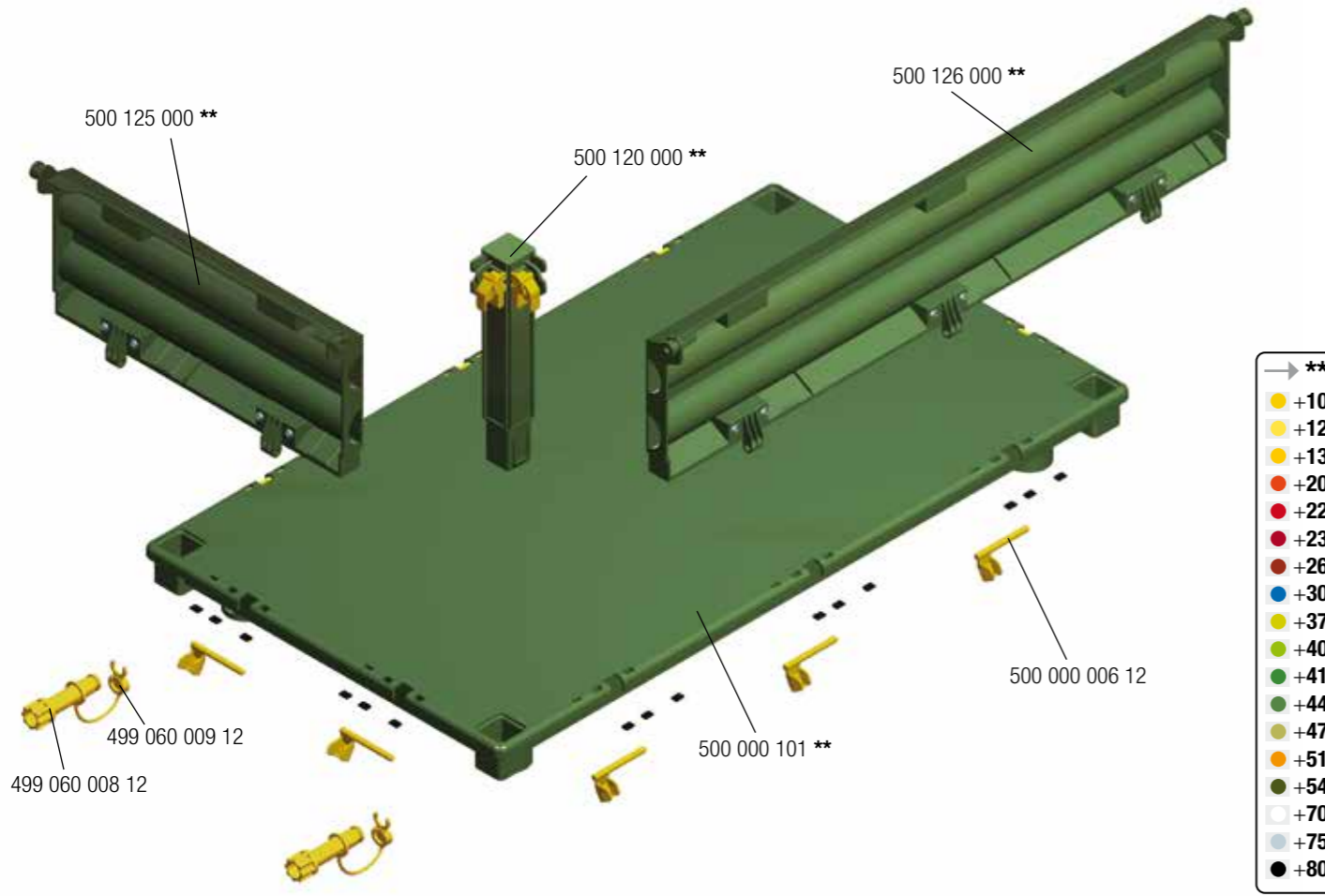
Tel: +49 (0) 95 68 / 856-142

Fax: +49 (0) 95 68 / 856-183

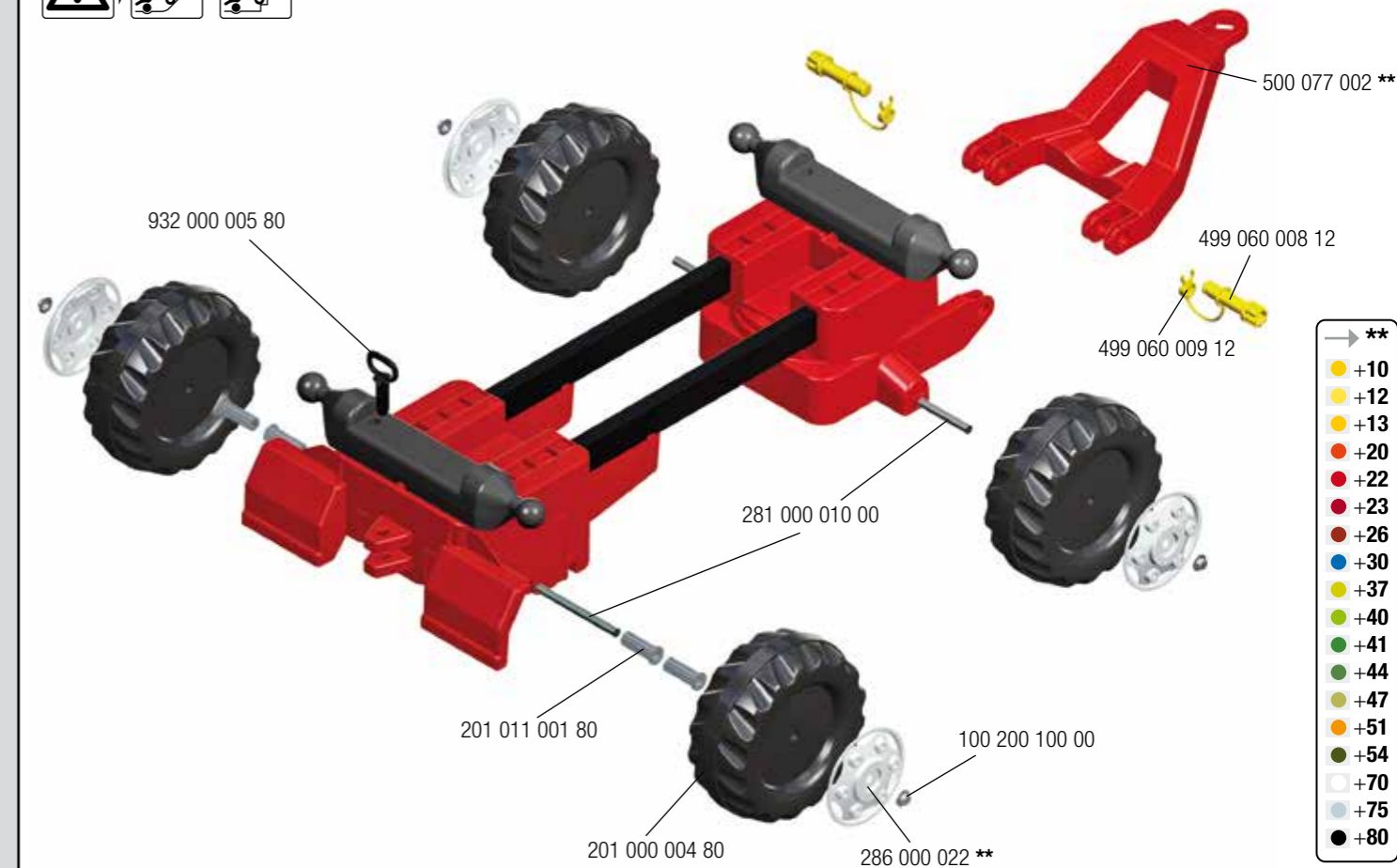
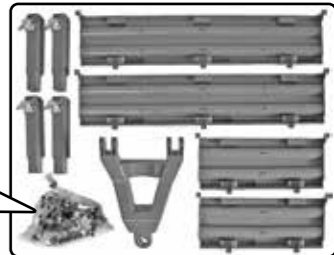
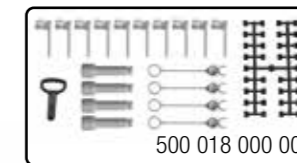
e-mail: service@rollytoys.de

2021/02

500.000.800.00



- **
- +10
- +12
- +13
- +20
- +22
- +23
- +26
- +30
- +37
- +40
- +41
- +44
- +47
- +51
- +54
- +70
- +75
- +80



- **
- +10
- +12
- +13
- +20
- +22
- +23
- +26
- +30
- +37
- +40
- +41
- +44
- +47
- +51
- +54
- +70
- +75
- +80

---NORTH & SOUTH AMERICA only---

180 days warranty

From the date of purchase + guaranteed spare part service
The warranty does not cover damages caused by improper use or neglect

- (BG) Предупреждение!
- (CZ) Varování!
- (D) Achtung!
- (DK) Advarsel!
- (E) Aviso!
- (EST) Hoiatus!
- (F) Attention!
- (FIN) Varoitus!
- (GB) Warning!
- (GR) Προσοχή!
- (H) Figyelmeztetés!
- (HR) Pažnja!
- (I) Avviso!
- (IRL) Rabhchán!
- (LT) Įspėjimas!
- (LV) Uzmanību!
- (M) Avviž!
- (MK) Внимание!
- (N) OBS!
- (NL) Waarschuwing!
- (P) Aviso!
- (PL) Ostrożnie!
- (RO) Avertisment!
- (RUS) Внимание!
- (S) Varning!
- (SK) Varovanie!
- (SLO) Opozorilo!
- (TR) Dikkat!



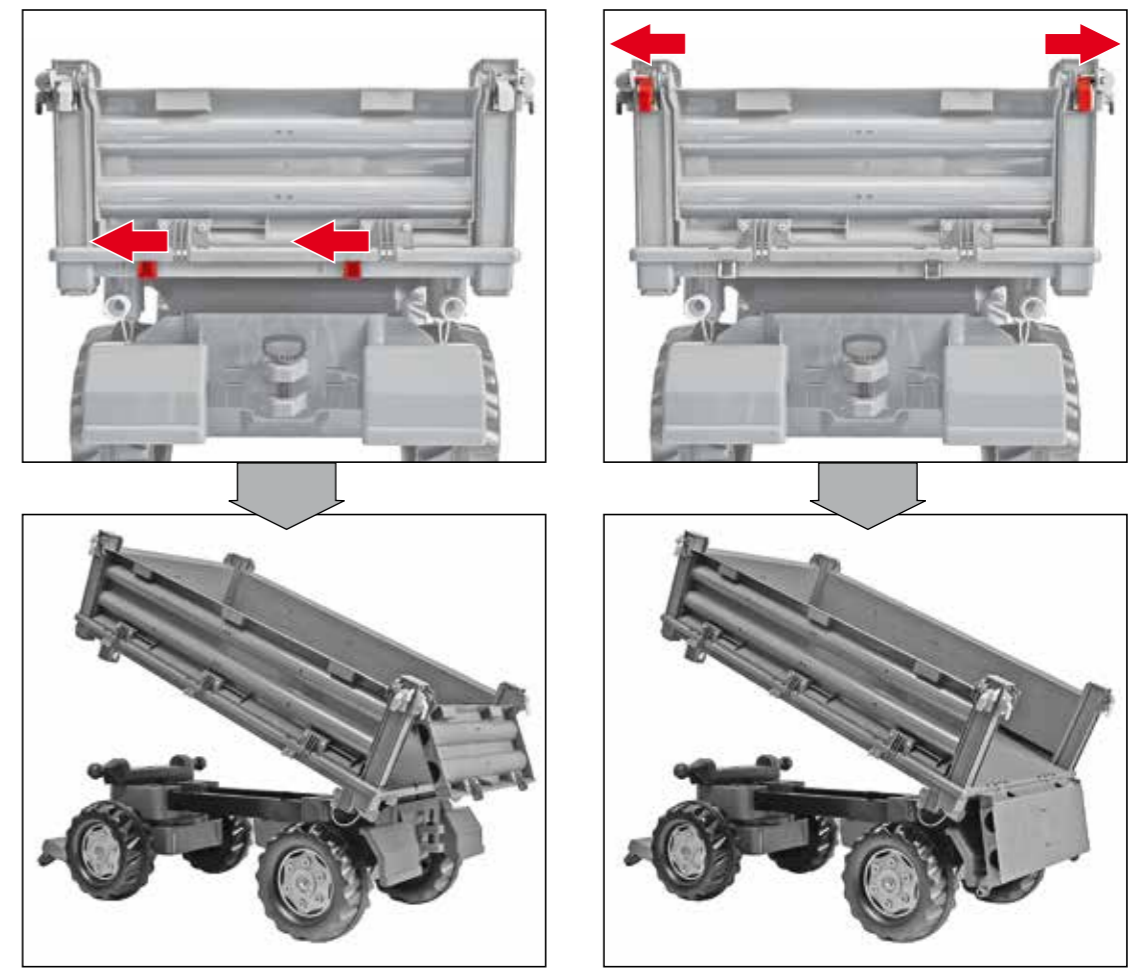
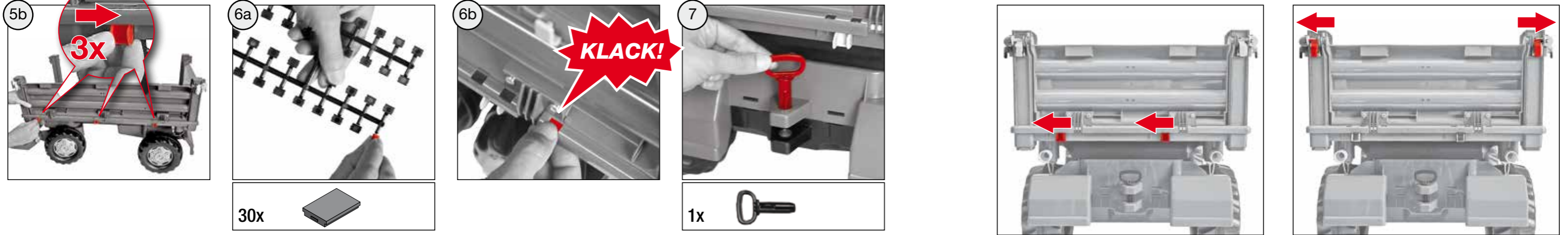
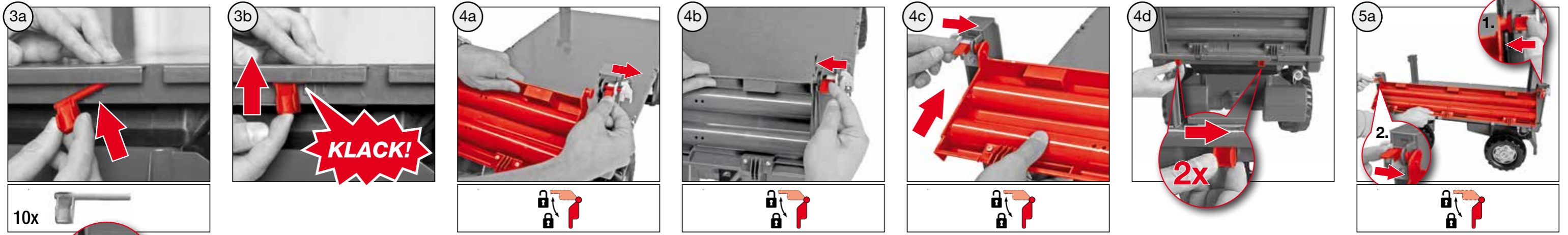
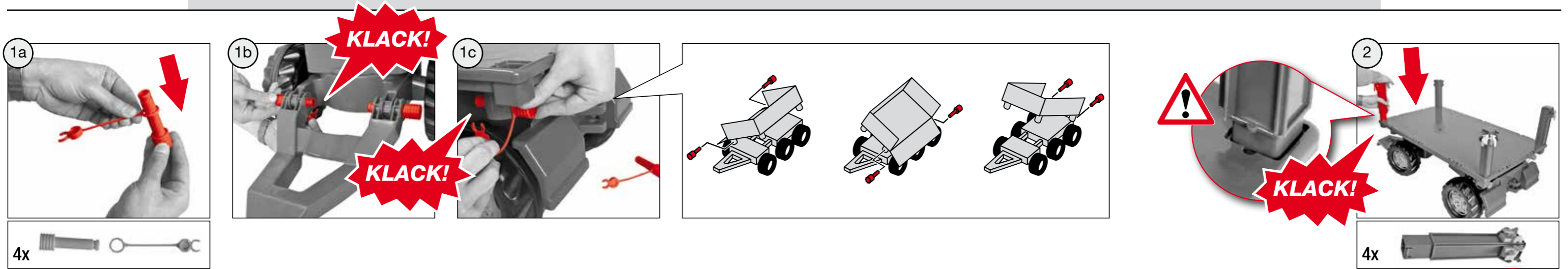
WARNING:

CHOKING HAZARD – Small parts.
Not for children under 3 years.

- CHOKING HAZARD - Small parts, Not for children under 3 years.
- Must be assembled by adults
- Adult supervision required.
- Toy is not suitable to carry children.
- If toy is defective stop using it, repairs may only be carried out by adults.
- Never use near steps, slopes, driveways, hills, roadways, alleys or swimming pool areas.
- Always wear shoes.
- Conforms to the requirements of ASTM Standard Consumer Safety Specification on Toy Safety, F 963.



Franz Schneider GmbH & Co KG
P.O.Box 1460
D-96459 - Neustadt bei Coburg - Germany
Tel.: +49 (0) 95 68 / 856-0
Fax.: +49 (0) 95 68 / 856-190
www.rollytoys.com



<input type="checkbox"/> roly Dreiradtraktoren	05 ●●●●
<input type="checkbox"/> rolyMinitrac	13 ●●●●
<input type="checkbox"/> rolyKid	01 ●●●● / 02 ●●●●
<input checked="" type="checkbox"/> rolyJunior	80 ●●●● / 81 ●●●●
<input checked="" type="checkbox"/> rolyFarmtrac	60 ●●●● / 61 ●●●●
<input checked="" type="checkbox"/> rolyFarmtrac Classic	03 ●●●● / 04 ●●●●
<input checked="" type="checkbox"/> rolyFarmtrac Premium	70 ●●●● / 71 ●●●●
<input checked="" type="checkbox"/> rolyX-Trac	03 ●●●● / 04 ●●●●
<input checked="" type="checkbox"/> rolyTruck (Unimog)	03 ●●●●